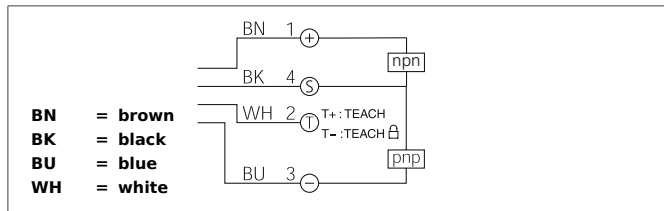


# ORT 41 M 10 FG3-T4

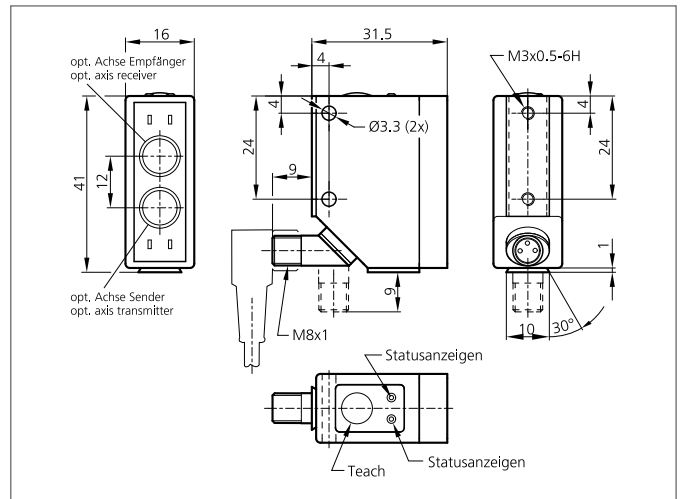
## Retroreflective Sensor

- High operating distances with a small design
- Plug, rotatable 270°
- Dovetail groove for secure mounting
- NO/NC programmable
- Auto and two-point teach procedures
- Visible red light with small light spot
- Small metal casing design
- Display for unstable function



### Safety instructions

The Instruments are not to be used for safety applications, in particular applications in which safety of persons depends on proper operation of the instruments.  
 These instruments shall exclusively be used by qualified personnel.



TECHNICAL INFORMATION (typ.)		+20°C, 24V DC
Operating principle		Retroreflective sensor
Evaluation		digital
Size		41 x 31,5 x 16 mm (Dimensions)
Design		cuboid design
Emitted light		Red, 630 nm, clocked
Operating distance		200 ... 10.000 mm
Service voltage		10 ... 30 V DC
Internal power consumption		< 40 mA
Sensitivity adjustment		Teach key + remote teach
Referring reflector		100 x 100 mm
Switching output		Push pull, 200 mA, NO/NC, switchable
Switching hysteresis		< 10 %
Switching frequency		1.000 Hz
Reproducibility		< 1 %
Ambient temperature		-20 ... +60 °C
Ambient light immunity		50 kLx
Protection class		IP 67
Protection degree		III, operation on protective low voltage
Casing material		Die-cast zinc black lacquered finish
Material		polymethyl methacrylate (Window)
Connection		Connector, M8, 4-poled